

Product Information Crawler Excavator

R 914 Compact

Litronic®

Generation

6

Engine

90 kW / 122 HP
Stage V

Operating Weight

14,900 – 17,800 kg

Bucket Capacity

0.32 – 0.80 m³



LIEBHERR

Experience the Progress

R 914 Compact

Maintenance

- Servicing concept, with service points accessible from ground level
- Engine oil level and filling nozzle accessible from ground level
- Standard shut-off valve on hydraulic tank outlet

Compactness

- Short tail swing radius of 1.55 m for increased safety and flexibility on work sites
- The perfect machine for narrow sites – ideal for urban applications and on motorways

Safety

- Panoramic visibility with no obstructions and camera on the rear and the right side equipment for enhanced safety
- Lifiable console for easy and safe access to cab
- ROPS-certified cab structure: rollover protection
- Emergency exit via the rear cab window
- Right window and windshield in laminated and tinted glass





Equipment

- Large choice of types and sizes of equipment
- Longer lifespan of components and higher productivity thanks to automatic centralised lubrication system
- Safety check valves for hoist and stick cylinders
- Large choice of tools and teeth to suit all applications

Engine

- New engine that conforms with the Stage V European exhaust emissions standard
- Automatic idle-stop

Comfort

- Spacious, air-conditioned work space
- Airsprung seat with vertical and horizontal suspension
- Easy-to-use high resolution 7" colour touchscreen
- Completely retractable front cab window

Undercarriage

- Robust, reliable X-frame undercarriage, easy to secure thanks to its integrated eyelets
- Easy maintenance
- Several levelling blades available
- Optional rubber track pads for urban application
- Possibility to anchor the machine with the blade
- Maintenance-free travel gear and track rollers with lifetime lubrication

Technical Data



Engine

Rating per ISO 9249	90 kW (122 HP) at 1,800 RPM
Model	Deutz TCD3.6L4
Type	4 cylinder in-line
Bore	98 mm
Stroke	120 mm
Displacement	3.6 l
Engine operation	4-stroke diesel Common-Rail injection system Turbo-charged and after-cooler Reduced emissions
Exhaust gas treatment	Stage V DOC + DPF + SCR Deutz
Air cleaner	Dry-type air cleaner with pre-cleaner, primary and safety elements
Fuel tank	175 l
Urea tank	20 l
Electrical system	
Voltage	24 V
Batteries	2 x 135 Ah/ 12 V
Alternator	Three-phase current 28 V/80 A
Engine idling	Sensor controlled



Cooling System

Engine	Water-cooled Compact cooling system consisting cooling unit for water, hydraulic oil and charge air with stepless thermostatically controlled fan, fans for radiator cleaning can be completely folded away
---------------	--



Hydraulic Controls

Power distribution	Via control valves with integrated safety valves, simultaneous and independent actuation of undercarriage, swing drive and equipment
Servo circuit	
Equipment and swing	With hydraulic pilot control and proportional joystick levers
Travel	Electro-proportional via foot pedal
Additional functions	Via switch or electro-proportional foot pedals
Proportional control	Proportionally acting transmitters on the joysticks for additional hydraulic functions



Hydraulic System

Hydraulic pump	
For equipment and travel drive	Liebherr axial piston variable displacement pump
Max. flow	300 l/min.
Max. pressure	350 bar
Hydraulic pump regulation and control	Liebherr-Synchron-Comfort-system (LSC) with electronic engine speed sensing regulation, pressure and flow compensation, torque controlled swing drive priority
Hydraulic tank	100 l
Hydraulic system	max. 230 l
Hydraulic oil filter	1 main return filter with integrated partial micro filtration (5 µm)
MODE selection	Adjustment of engine and hydraulic performance via a mode pre-selector to match application, e.g. for especially economical and environmentally friendly operation or for maximum digging performance and heavy-duty jobs
S (Sensitive)	Mode for precision work and lifting through very sensitive movements
E (Eco)	Mode for especially economical and environmentally friendly operation
P (Power)	Mode for high performance with low fuel consumption
Engine speed and performance setting	Stepless adjustment of engine output and hydraulic power via engine speed
Option	Tool Control: 20 pre-adjustable pump flows and pressures for add-on attachments



Swing Drive

Drive	Liebherr axial piston motor with integrated brake valve and torque control
Swing ring	Liebherr, sealed race ball bearing swing ring, internal teeth
Swing speed	0 – 10.0 RPM stepless
Swing torque	51 kNm
Holding brake	Wet multi-disc (spring applied, pressure released)



Operator's Cab

Cab	ROPS safety cab structure (roll-over protection system) with windscreen, totally or partially retractable (only upper part), under cab roof, work headlights integrated in the ceiling, a door with a sliding window (can be opened on both sides), large storing box and several stowing possibilities, shock-absorbing suspension, sound damping insulating, tinted laminated safety glass, separate window shades for the sunroof window and windscreen
Operator's seat Standard	Air cushioned operator's seat with 3D-adjustable armrests, headrest, lap belt, seat heater, manual weight adjustment, adjustable seat cushion inclination and length and mechanical lumbar vertebrae support
Operator's seat Comfort (Option)	In addition to operator's seat standard: lockable horizontal suspension, automatic weight adjustment, adjustable suspension stiffness, pneumatic lumbar vertebrae support and passive seat climatisation with active coal
Operator's seat Premium (Option)	In addition to operator's seat comfort: active electronic weight adjustment (automatic re-adjustment), pneumatic low frequency suspension and active seat climatisation with active coal and ventilator
Arm consoles	Oscillating consoles with seat, tiltable console left
Operation and displays	Large high-resolution operating unit, intuitive, colour display with touchscreen, video-compatible, numerous setting, control and monitoring options, e.g. air conditioning control, fuel consumption, machine and attachment parameters
Air-conditioning	Automatic air-conditioning, recirculated air function, fast de-icing and demisting at the press of a button, air vents can be operated via a menu. Recirculated air and fresh air filters can be easily replaced and are accessible from the ground level. Heating-cooling unit, designed for extreme outside temperatures, sensors for solar radiation The air conditioning system contains fluorinated greenhouse gases
Refrigerant	R134a
Global warming potential	1,430
Quantity at 25 °C *	1,260 g
CO ₂ equivalent	1.80 t
Vibration emission**	
Hand/arm vibrations	< 2.5 m/s ² , according with ISO 5349-1:2001
Whole-body vibrations	< 0.5 m/s ²
Measuring inaccuracy	According with standard EN 12096:1997
Noise emission	
ISO 6396	L _{pA} (inside cab) = 70 dB(A)
2000/14/EC	L _{WA} (surround noise) = 101 dB(A)

* Valid for standard machine without operator's cab elevation and without height adjustable cab

** For the risk assessment according to 2002/44/EC see ISO/TR 25398:2006



Undercarriage

Drive	Liebherr compact planetary reduction gear with Liebherr axial piston motor per side of undercarriage
Transmission	Liebherr compact planetary reduction gear
Maximum travel speed	Low range 3.1 km/h High range 6.8 km/h
Drawbar pull on crawler	154 kN
Track components	B4, maintenance-free
Track rollers/ Carrier rollers	8/2
Tracks	Sealed and greased
Track pads	Triple grouser
Holding brake	Wet multi-disc (spring applied, pressure released)
Brake valves	Integrated into travel motor
Lashing eyes	Integrated



Equipment

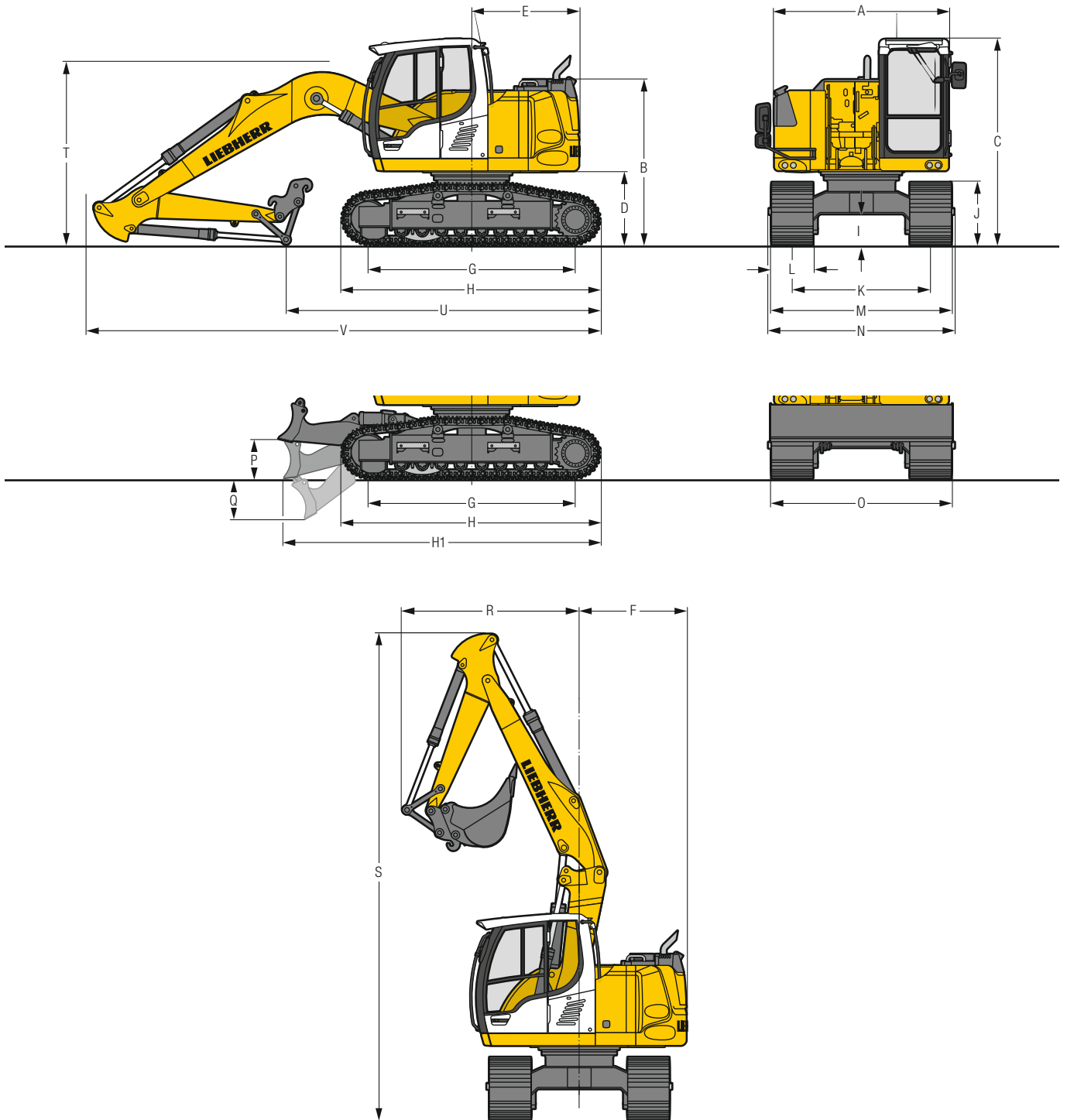
Type	High-strength steel plates at highly-stressed points for the toughest requirements. Complex and stable mountings of equipment and cylinders
Hydraulic cylinders	Liebherr cylinders with seal and guidance systems
Bearings	Sealed, low maintenance



Complete Machine

Lubrication	Liebherr central lubrication system for uppercarriage and equipment, automatically
--------------------	--

Dimensions



	S			mm			S with blade			mm			
A	Uppercarriage width				2,525						2,525		
B	Uppercarriage height				2,395						2,395		
C	Cab height				2,980						2,980		
D	Counterweight ground clearance				1,050						1,050		
E	Rear-end length				1,550						1,550		
F	Tail swing radius				1,550						1,550		
G	Wheelbase				3,000						3,000		
H	Undercarriage length				3,735						3,735		
H1	Undercarriage length with blade				-						4,655		
I	Undercarriage ground clearance				440						440		
J	Track height				900						900		
K	Track gauge				2,000						2,000		
L	Track pad width		500	600	700						500	600	700
M	Width over tracks		2,500	2,600	2,700						2,500	2,600	2,700
N	Width over steps		2,525	2,680*	2,780*						2,525	2,680*	2,780*
O	Blade width				-						2,540 2,640 2,740		
P	Max. blade height				-						575		
Q	Max. blade depth				-						600		

* width with removable steps

		Stick length m	Mono boom 4.60 m with quick coupler mm			Two-piece boom 4.85 m with quick coupler mm			Mono boom offset 4.30 m with quick coupler mm			Two-piece boom offset 4.90 m with quick coupler mm			
R	Front swing radius	2.05	2,400			2,550			2,400			2,950			
		2.25	2,200			2,450			2,200			2,800			
		2.45	2,050			2,300			2,050			2,700			
		2.65	2,050			2,150			2,700			2,550			
S	Height with boom up		6,800			7,050			6,600			7,050			
		T	Boom height	2.05	2,650			2,700			2,450			2,700	
				2.25	2,700			2,750			2,450			2,750	
				2.45	2,700			2,800			2,450			2,800	
2.65	2,750					2,850			2,500			2,850			
U	Length on ground	2.05	4,550			5,100			6,550			5,000			
		2.25	4,400			4,950			6,350			4,850			
		2.45	4,200			4,800			6,200			4,700			
		2.65	4,000			4,650			6,050			4,550			
V	Overall length	2.05	7,450			7,800			7,150			7,800			
		2.25	7,450			7,800			7,150			7,800			
		2.45	7,450			7,800			7,150			7,800			
		2.65	7,450			7,800			7,150			7,800			
	Bucket		0.50 m ³			0.50 m ³			0.50 m ³			0.50 m ³			

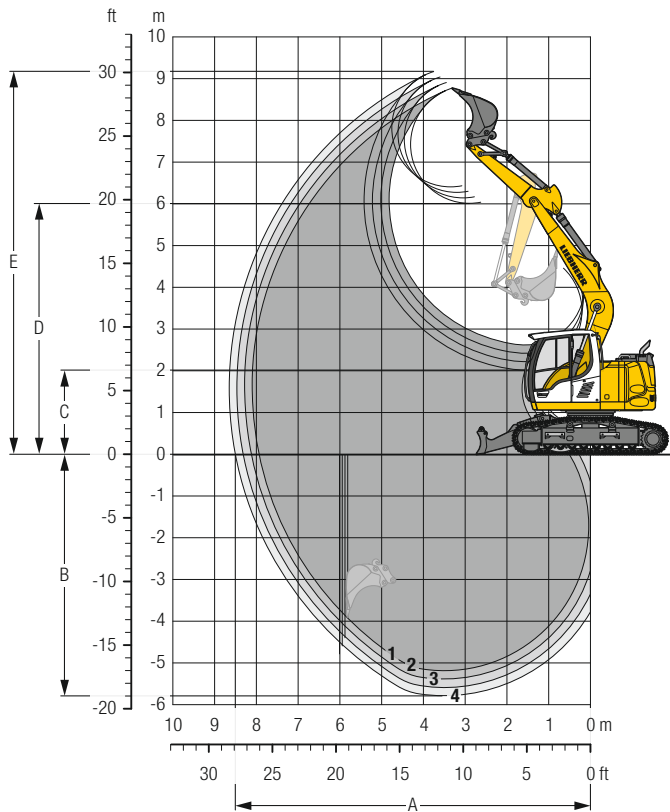
Transport Dimensions

removable elements disassembled

	Stick m	Mono boom 4.60 m mm			Two-piece boom 4.85 m mm			Mono boom offset 4.30 m mm			Two-piece boom offset 4.90 m mm		
Pad width		500	600	700	500	600	700	500	600	700	500	600	700
Transport width		2,525	2,600	2,700	2,525	2,600	2,700	2,525	2,600	2,700	2,525	2,600	2,700
Transport length	2.05		7,450			7,800			7,150			7,800	
	2.25		7,450			7,800			7,150			7,800	
	2.45		7,450			7,800			7,150			7,800	
	2.65		7,450			7,800			7,150			7,800	
Transport height	2.05		2,980			2,980			2,980			2,980	
	2.25		2,980			2,980			2,980			2,980	
	2.45		2,980			2,980			2,980			2,980	
	2.65		2,980			2,980			2,980			2,980	

Backhoe Bucket

with Mono Boom 4.60 m and Counterweight 2.8 t



Digging Envelope

with quick coupler		1	2	3	4
Stick length	m	2.05	2.25	2.45	2.65
A Max. reach at ground level	m	7.95	8.15	8.30	8.50
B Max. digging depth	m	5.20	5.40	5.60	5.80
C Min. dumping height	m	2.60	2.40	2.20	2.00
D Max. dumping height	m	6.05	6.15	6.30	6.40
E Max. cutting height	m	8.75	8.90	9.05	9.15

Forces

without quick coupler		1	2	3	4
Stick digging force (ISO 6015)	kN	70	66	62	59
Bucket digging force (ISO 6015)	kN	89	89	89	89
Stick digging force (SAE J1179)	kN	68	64	60	57
Bucket digging force (SAE J1179)	kN	80	80	80	80

Operating Weight and Ground Pressure

The operating weight includes the basic machine with counterweight 2.8 t, mono boom 4.60 m, stick 2.25 m, quick coupler SWA 33 and bucket 0.50 m³ (340 kg).

Undercarriage		S			
Pad width	mm	500	600	700	900
Weight	kg	14,900	15,100	15,350	15,750
Ground pressure	kg/cm ²	0.46	0.39	0.34	0.27

Undercarriage		S with blade			
Pad width	mm	500	600	700	900
Weight	kg	16,050	16,250	16,500	16,900
Ground pressure	kg/cm ²	0.49	0.42	0.36	0.29

Buckets Machine stability per ISO 10567* (75% of tipping capacity)

	Cutting width mm	Capacity ISO 7451 m ³	Weight ³⁾ kg	Weight ⁴⁾ kg	S-Undercarriage (with track pads 600 mm)								S-Undercarriage with blade (with track pads 600 mm)								
					Stick length (m)								Stick length (m)								
					without quick coupler				with quick coupler				without quick coupler				with quick coupler				
	2.05	2.25	2.45	2.65	2.05	2.25	2.45	2.65	2.05	2.25	2.45	2.65	2.05	2.25	2.45	2.65	2.05	2.25	2.45	2.65	
STD ¹⁾	500	0.32	230	250	▲	▲	▲	▲	▲	▲	▲	▲	▲	▲	▲	▲	▲	▲	▲	▲	▲
	550	0.29	250	260	▲	▲	▲	▲	▲	▲	▲	▲	▲	▲	▲	▲	▲	▲	▲	▲	▲
	650	0.36	270	290	▲	▲	▲	▲	▲	▲	▲	▲	▲	▲	▲	▲	▲	▲	▲	▲	▲
	850	0.50	320	340	▲	▲	▲	▲	▲	▲	▲	▲	▲	▲	▲	▲	▲	▲	▲	▲	▲
	1,050	0.65	360	380	▲	▲	▲	▲	▲	▲	▲	■	▲	▲	▲	▲	▲	▲	▲	▲	▲
	1,250	0.80	420	430	■	■	▲	■	■	▲	▲	■	▲	▲	▲	▲	▲	▲	▲	▲	■
HD ²⁾	500	0.32	260	280	▲	▲	▲	▲	▲	▲	▲	▲	▲	▲	▲	▲	▲	▲	▲	▲	▲
	550	0.29	280	290	▲	▲	▲	▲	▲	▲	▲	▲	▲	▲	▲	▲	▲	▲	▲	▲	▲
	650	0.36	300	320	▲	▲	▲	▲	▲	▲	▲	▲	▲	▲	▲	▲	▲	▲	▲	▲	▲
	850	0.50	360	380	▲	▲	▲	▲	▲	▲	▲	▲	▲	▲	▲	▲	▲	▲	▲	▲	▲
	1,050	0.65	420	430	▲	▲	▲	▲	▲	▲	▲	■	▲	▲	▲	▲	▲	▲	▲	▲	▲
	1,250	0.80	480	490	■	▲	▲	■	■	▲	■	▲	▲	▲	▲	▲	▲	▲	▲	▲	■

* Indicated loads are based on ISO 10567, at maximum reach, and may be swung 360° on firm and even ground

¹⁾ Standard bucket with teeth Uni 35-3

²⁾ HD bucket with teeth Uni 35-3

³⁾ Bucket for direct mounting

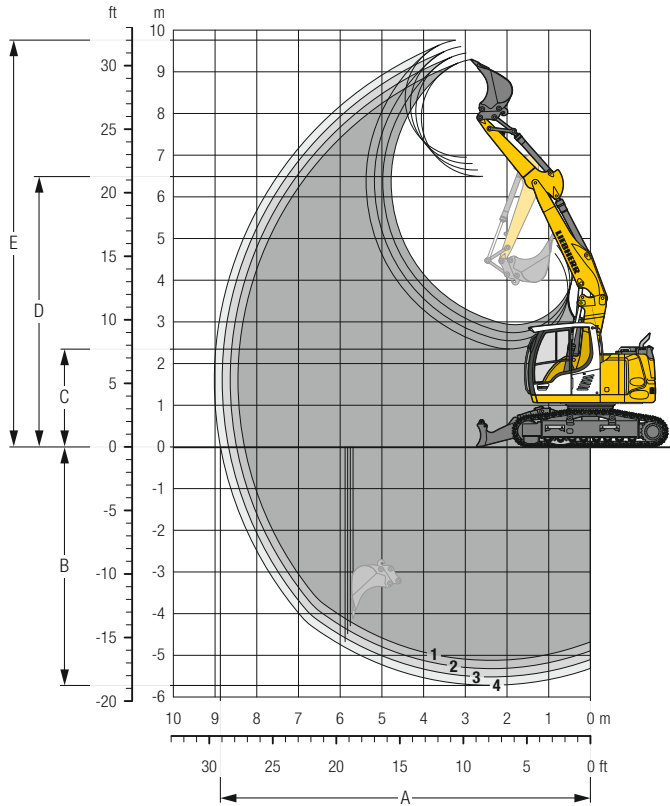
⁴⁾ Bucket for mounting to quick coupler

Other buckets available upon request

Max. material weight ▲ = ≤ 2.0 t/m³, ■ = ≤ 1.8 t/m³, ▲ = ≤ 1.65 t/m³, ■ = ≤ 1.5 t/m³, △ = ≤ 1.2 t/m³

Backhoe Bucket

with Two-Piece Boom 4.85 m and Counterweight 2.8 t



Digging Envelope

with quick coupler		1	2	3	4
Stick length	m	2.05	2.25	2.45	2.65
A Max. reach at ground level	m	8.30	8.50	8.70	8.90
B Max. digging depth	m	5.10	5.30	5.50	5.70
C Min. dumping height	m	2.95	2.75	2.55	2.35
D Max. dumping height	m	6.50	6.65	6.80	6.95
E Max. cutting height	m	9.30	9.45	9.60	9.75

Forces

without quick coupler		1	2	3	4
Stick digging force (ISO 6015)	kN	70	66	62	59
Bucket digging force (ISO 6015)	kN	89	89	89	89
Stick digging force (SAE J1179)	kN	68	64	60	57
Bucket digging force (SAE J1179)	kN	80	80	80	80

Operating Weight and Ground Pressure

The operating weight includes the basic machine with counterweight 2.8 t, two-piece boom 4.85 m, stick 2.25 m, quick coupler SWA 33 and bucket 0.50 m³ (340 kg).

Undercarriage		S			
Pad width	mm	500	600	700	900
Weight	kg	15,250	15,450	15,700	16,100
Ground pressure	kg/cm ²	0.47	0.40	0.35	0.28

Undercarriage		S with blade			
Pad width	mm	500	600	700	900
Weight	kg	16,400	16,600	16,850	17,250
Ground pressure	kg/cm ²	0.50	0.43	0.37	0.30

Buckets Machine stability per ISO 10567* (75% of tipping capacity)

	Cutting width mm	Capacity ISO 7451 m ³	Weight ³⁾ kg	Weight ⁴⁾ kg	S-Undercarriage (with track pads 600 mm)								S-Undercarriage with blade (with track pads 600 mm)								
					Stick length (m)								Stick length (m)								
					without quick coupler				with quick coupler				without quick coupler				with quick coupler				
	2.05	2.25	2.45	2.65	2.05	2.25	2.45	2.65	2.05	2.25	2.45	2.65	2.05	2.25	2.45	2.65	2.05	2.25	2.45	2.65	
STD ¹⁾	500	0.32	230	250	▲	▲	▲	▲	▲	▲	▲	▲	▲	▲	▲	▲	▲	▲	▲	▲	▲
	550	0.29	250	260	▲	▲	▲	▲	▲	▲	▲	▲	▲	▲	▲	▲	▲	▲	▲	▲	▲
	650	0.36	270	290	▲	▲	▲	▲	▲	▲	▲	▲	▲	▲	▲	▲	▲	▲	▲	▲	▲
	850	0.50	320	340	▲	▲	▲	▲	▲	▲	▲	▲	▲	▲	▲	▲	▲	▲	▲	▲	▲
	1,050	0.65	360	380	▲	▲	■	■	▲	■	■	▲	▲	▲	▲	▲	▲	▲	▲	▲	▲
HD ²⁾	1,250	0.80	420	430	▲	■	■	△	▲	■	△	△	▲	▲	■	■	▲	■	■	▲	▲
	500	0.32	260	280	▲	▲	▲	▲	▲	▲	▲	▲	▲	▲	▲	▲	▲	▲	▲	▲	▲
	550	0.29	280	290	▲	▲	▲	▲	▲	▲	▲	▲	▲	▲	▲	▲	▲	▲	▲	▲	▲
	650	0.36	300	320	▲	▲	▲	▲	▲	▲	▲	▲	▲	▲	▲	▲	▲	▲	▲	▲	▲
	850	0.50	360	380	▲	▲	▲	▲	▲	▲	▲	▲	▲	▲	▲	▲	▲	▲	▲	▲	▲
	1,050	0.65	420	430	▲	■	■	△	▲	■	△	△	▲	▲	■	■	▲	■	■	▲	▲
	1,250	0.80	480	490	▲	■	△	△	■	△	△	△	▲	▲	■	■	▲	■	■	▲	▲

* Indicated loads are based on ISO 10567, at maximum reach, and may be swung 360° on firm and even ground

¹⁾ Standard bucket with teeth Uni 35-3

²⁾ HD bucket with teeth Uni 35-3

³⁾ Bucket for direct mounting

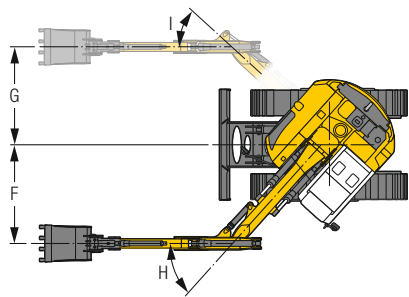
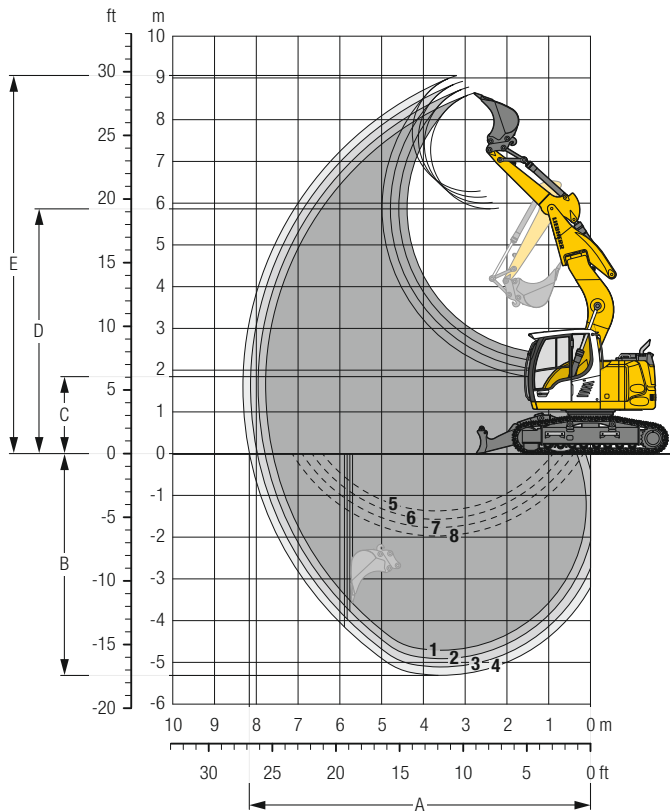
⁴⁾ Bucket for mounting to quick coupler

Other buckets available upon request

Max. material weight ▲ = ≤ 2.0 t/m³, ■ = ≤ 1.8 t/m³, ▲ = ≤ 1.65 t/m³, ■ = ≤ 1.5 t/m³, △ = ≤ 1.2 t/m³

Backhoe Bucket

with Mono Boom Offset 4.30 m and Counterweight 2.8 t



Digging Envelope

with quick coupler		1	2	3	4
Stick length	m	2.05	2.25	2.45	2.65
A Max. reach at ground level	m	7.60	7.80	8.00	8.15
B Max. digging depth	m	4.70	4.90	5.10	5.30
C Min. dumping height	m	2.40	2.20	2.00	1.80
D Max. dumping height	m	5.90	6.00	6.15	6.30
E Max. cutting height	m	8.65	8.80	8.90	9.05
F Max. offset right	m	2.37			
G Max. offset left	m	2.35			
H Max. offset angle right	°	48			
I Max. offset angle left	°	42.5			

- 1 with stick 2.05 m
 - 2 with stick 2.25 m
 - 3 with stick 2.45 m
 - 4 with stick 2.65 m
 - 5 with stick 2.05 m
 - 6 with stick 2.25 m
 - 7 with stick 2.45 m
 - 8 with stick 2.65 m
- with set straight boom at max. equipment offset with vertical ditch walls

Forces

without quick coupler		1	2	3	4
Stick digging force (ISO 6015)	kN	70	66	62	59
Bucket digging force (ISO 6015)	kN	89	89	89	89
Stick digging force (SAE J1179)	kN	68	64	60	57
Bucket digging force (SAE J1179)	kN	80	80	80	80

Operating Weight and Ground Pressure

The operating weight includes the basic machine with counterweight 2.8 t, mono boom offset 4.30 m, stick 2.25 m, quick coupler SWA 33 and bucket 0.50 m³ (340 kg).

Undercarriage		S			
Pad width	mm	500	600	700	900
Weight	kg	15,200	15,400	15,650	16,050
Ground pressure	kg/cm ²	0.47	0.40	0.35	0.28

Undercarriage		S with blade			
Pad width	mm	500	600	700	900
Weight	kg	16,350	16,550	16,800	17,200
Ground pressure	kg/cm ²	0.50	0.43	0.37	0.30

Buckets Machine stability per ISO 10567* (75% of tipping capacity)

	Cutting width mm	Capacity ISO 7451 m ³	Weight ³⁾ kg	Weight ⁴⁾ kg	S-Undercarriage (with track pads 600 mm)								S-Undercarriage with blade (with track pads 600 mm)								
					Stick length (m)								Stick length (m)								
					without quick coupler				with quick coupler				without quick coupler				with quick coupler				
	2.05	2.25	2.45	2.65	2.05	2.25	2.45	2.65	2.05	2.25	2.45	2.65	2.05	2.25	2.45	2.65	2.05	2.25	2.45	2.65	
STD ¹⁾	500	0.32	230	250	▲	▲	▲	▲	▲	▲	▲	▲	▲	▲	▲	▲	▲	▲	▲	▲	▲
	550	0.29	250	260	▲	▲	▲	▲	▲	▲	▲	▲	▲	▲	▲	▲	▲	▲	▲	▲	▲
	650	0.36	270	290	▲	▲	▲	▲	▲	▲	▲	▲	▲	▲	▲	▲	▲	▲	▲	▲	▲
	850	0.50	320	340	▲	▲	▲	▲	▲	▲	▲	▲	▲	▲	▲	▲	▲	▲	▲	▲	▲
	1,050	0.65	360	380	▲	▲	▲	▲	▲	▲	▲	▲	▲	▲	▲	▲	▲	▲	▲	▲	▲
	1,250	0.80	420	430	■	■	▲	▲	■	■	▲	■	■	▲	▲	▲	▲	▲	▲	▲	▲
HD ²⁾	500	0.32	260	280	▲	▲	▲	▲	▲	▲	▲	▲	▲	▲	▲	▲	▲	▲	▲	▲	▲
	550	0.29	280	290	▲	▲	▲	▲	▲	▲	▲	▲	▲	▲	▲	▲	▲	▲	▲	▲	▲
	650	0.36	300	320	▲	▲	▲	▲	▲	▲	▲	▲	▲	▲	▲	▲	▲	▲	▲	▲	▲
	850	0.50	360	380	▲	▲	▲	▲	▲	▲	▲	▲	▲	▲	▲	▲	▲	▲	▲	▲	▲
	1,050	0.65	420	430	▲	▲	▲	▲	▲	▲	▲	▲	▲	▲	▲	▲	▲	▲	▲	▲	▲
	1,250	0.80	480	490	■	■	▲	■	■	▲	▲	■	■	▲	▲	▲	▲	▲	▲	▲	▲

* Indicated loads are based on ISO 10567, at maximum reach, and may be swung 360° on firm and even ground

¹⁾ Standard bucket with teeth Uni 35-3

²⁾ HD bucket with teeth Uni 35-3

³⁾ Bucket for direct mounting

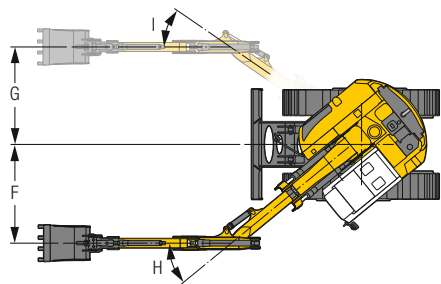
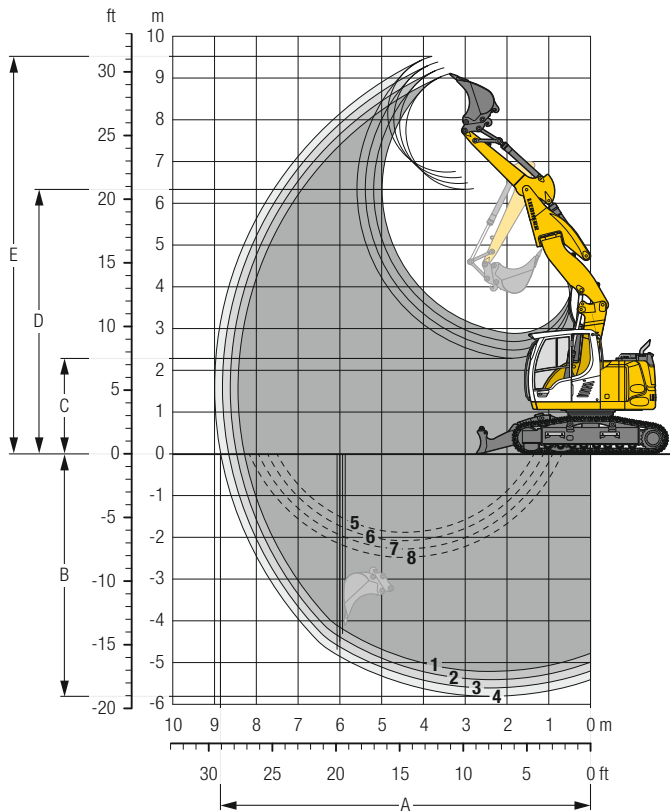
⁴⁾ Bucket for mounting to quick coupler

Other buckets available upon request

Max. material weight ▲ = ≤ 2.0 t/m³, ■ = ≤ 1.8 t/m³, ▲ = ≤ 1.65 t/m³, ■ = ≤ 1.5 t/m³

Backhoe Bucket

with Two-Piece Boom Offset 4.90 m and Counterweight 2.8 t



Digging Envelope

with quick coupler		1	2	3	4
Stick length	m	2.05	2.25	2.45	2.65
A Max. reach at ground level	m	8.25	8.45	8.65	8.85
B Max. digging depth	m	5.20	5.40	5.60	5.80
C Min. dumping height	m	2.90	2.70	2.50	2.30
D Max. dumping height	m	6.35	6.50	6.60	6.75
E Max. cutting height	m	9.10	9.25	9.40	9.50
F Max. offset right	m	2.37			
G Max. offset left	m	2.34			
H Max. offset angle right	°	39.5			
I Max. offset angle left	°	34.5			

- | | |
|------------------------|---------------------------|
| 1 with stick 2.05 m | 5 with stick 2.05 m |
| 2 with stick 2.25 m | 6 with stick 2.25 m |
| 3 with stick 2.45 m | 7 with stick 2.45 m |
| 4 with stick 2.65 m | 8 with stick 2.65 m |
| with set straight boom | at max. equipment offset |
| | with vertical ditch walls |

Forces

without quick coupler		1	2	3	4
Stick digging force (ISO 6015)	kN	70	66	62	59
Bucket digging force (ISO 6015)	kN	89	89	89	89
Stick digging force (SAE J1179)	kN	68	64	60	57
Bucket digging force (SAE J1179)	kN	80	80	80	80

Operating Weight and Ground Pressure

The operating weight includes the basic machine with counterweight 2.8 t, two-piece boom offset 4.90 m, stick 2.25 m, quick coupler SWA 33 and bucket 0.50 m³ (340 kg).

Undercarriage		S			
Pad width	mm	500	600	700	900
Weight	kg	15,800	16,000	16,250	16,650
Ground pressure	kg/cm ²	0.49	0.41	0.36	0.29

Undercarriage		S with blade			
Pad width	mm	500	600	700	900
Weight	kg	16,950	17,150	17,400	17,800
Ground pressure	kg/cm ²	0.52	0.44	0.38	0.31

Buckets Machine stability per ISO 10567* (75% of tipping capacity)

	Cutting width mm	Capacity ISO 7451 m ³	Weight ³⁾ kg	Weight ⁴⁾ kg	S-Undercarriage (with track pads 600 mm)								S-Undercarriage with blade (with track pads 600 mm)							
					Stick length (m)								Stick length (m)							
					without quick coupler				with quick coupler				without quick coupler				with quick coupler			
	2.05	2.25	2.45	2.65	2.05	2.25	2.45	2.65	2.05	2.25	2.45	2.65	2.05	2.25	2.45	2.65				
STD ¹⁾	500	0.32	230	250	▲	▲	▲	▲	▲	▲	▲	▲	▲	▲	▲	▲	▲	▲	▲	
	550	0.29	250	260	▲	▲	▲	▲	▲	▲	▲	▲	▲	▲	▲	▲	▲	▲	▲	▲
	650	0.36	270	290	▲	▲	▲	▲	▲	▲	▲	▲	▲	▲	▲	▲	▲	▲	▲	▲
	850	0.50	320	340	▲	▲	▲	▲	▲	▲	▲	▲	▲	▲	▲	▲	▲	▲	▲	▲
	1,050	0.65	360	380	■	■	▲	■	■	▲	■	△	▲	▲	▲	▲	▲	▲	▲	■
HD ²⁾	1,250	0.80	420	430	■	△	△	△	△	△	△	-	■	■	▲	■	▲	■	■	■
	500	0.32	260	280	▲	▲	▲	▲	▲	▲	▲	▲	▲	▲	▲	▲	▲	▲	▲	▲
	550	0.29	280	290	▲	▲	▲	▲	▲	▲	▲	▲	▲	▲	▲	▲	▲	▲	▲	▲
	650	0.36	300	320	▲	▲	▲	▲	▲	▲	▲	▲	▲	▲	▲	▲	▲	▲	▲	▲
	850	0.50	360	380	▲	▲	▲	▲	▲	▲	▲	■	▲	▲	▲	▲	▲	▲	▲	▲
1,050	0.65	420	430	■	▲	■	■	▲	▲	■	△	▲	▲	▲	■	▲	▲	▲	▲	■
1,250	0.80	480	490	△	△	△	△	△	△	-	-	■	▲	▲	■	▲	▲	■	△	

* Indicated loads are based on ISO 10567, at maximum reach, and may be swung 360° on firm and even ground

¹⁾ Standard bucket with teeth Uni 35-3

²⁾ HD bucket with teeth Uni 35-3

³⁾ Bucket for direct mounting

⁴⁾ Bucket for mounting to quick coupler

Other buckets available upon request

Max. material weight ▲ = ≤ 2.0 t/m³, ■ = ≤ 1.8 t/m³, ▲ = ≤ 1.65 t/m³, ■ = ≤ 1.5 t/m³, △ = ≤ 1.2 t/m³, - = not authorised

Lift Capacities

with Mono Boom 4.60 m, Counterweight 2.8 t and Track Pads 600 mm

Stick 2.05 m

Under-carriage	m	3.0 m		4.5 m		6.0 m		7.5 m		m
		↕	↔	↕	↔	↕	↔	↕	↔	
S	7.5									
	6.0			3.8	4.1*					2.7*
	4.5	5.2*	5.2*	3.7	4.4*					2.3
	3.0	6.4	8.0*	3.5	5.3*	2.3	3.5			2.0
	1.5			3.2	5.2	2.2	3.4			1.8
	0	5.5	6.1*	3.1	5.1	2.1	3.3			1.9
Blade up	7.5									
	6.0			4.0	4.1*					2.7*
	4.5	5.2*	5.2*	4.0	4.4*	2.5	2.6*			2.5
	3.0	6.8	8.1*	3.7	5.3*	2.4	3.6			2.1
	1.5			3.5	5.3	2.3	3.4			2.0
	0	6.0	6.2*	3.3	5.1	2.3	3.4			2.1
Blade down	7.5									
	6.0			4.1*	4.1*					2.7*
	4.5	5.2*	5.2*	4.3	4.4*	2.6*	2.6*			2.6*
	3.0	7.5	8.1*	4.1	5.3*	2.7	4.4*			2.3
	1.5			3.8	6.3*	2.6	4.7*			2.2
	0	6.2*	6.2*	3.7	6.6*	2.5	4.9*			2.2

Stick 2.25 m

Under-carriage	m	3.0 m		4.5 m		6.0 m		7.5 m		m
		↕	↔	↕	↔	↕	↔	↕	↔	
S	7.5									
	6.0			3.8	4.0*					3.1*
	4.5	4.8*	4.8*	3.7	4.2*	2.3	3.2*			2.4*
	3.0	6.5	7.6*	3.5	5.1*	2.3	3.5			1.9
	1.5			3.2	5.2	2.2	3.4			1.8
	0	5.5	6.3*	3.1	5.0	2.1	3.3			1.8
Blade up	7.5									
	6.0			3.9*	3.9*					3.1*
	4.5	4.8*	4.8*	4.0	4.2*	2.5	3.2*			2.4*
	3.0	6.9	7.6*	3.8	5.1*	2.4	3.6			2.0
	1.5			3.5	5.3	2.3	3.4			1.9
	0	6.0	6.3*	3.3	5.1	2.3	3.3			2.0
Blade down	7.5									
	6.0			3.9*	3.9*					3.1*
	4.5	4.8*	4.8*	4.2*	4.2*	2.7	3.2*			2.4*
	3.0	7.6*	7.6*	4.1	5.1*	2.7	4.3*			2.2
	1.5			3.8	6.1*	2.5	4.6*			2.1
	0	6.3*	6.3*	3.6	6.6*	2.5	4.8*			2.1

Stick 2.45 m

Under-carriage	m	3.0 m		4.5 m		6.0 m		7.5 m		m
		↕	↔	↕	↔	↕	↔	↕	↔	
S	7.5									
	6.0			3.7*	3.7*					2.7*
	4.5			3.7	4.0*	2.3	3.4*			2.2*
	3.0	6.6	7.1*	3.5	4.9*	2.3	3.5			1.8
	1.5	5.7	6.5*	3.2	5.2	2.1	3.4			1.7
	0	5.5	6.5*	3.0	5.0	2.1	3.3			1.7
Blade up	7.5									
	6.0			3.7*	3.7*					2.7*
	4.5			4.0	4.0*	2.5	3.4*			2.2*
	3.0	7.0	7.1*	3.8	4.9*	2.4	3.6			2.1*
	1.5	6.2	6.4*	3.5	5.3	2.3	3.4			1.8
	0	5.9	6.5*	3.3	5.1	2.2	3.3			1.9
Blade down	7.5									
	6.0			3.7*	3.7*					2.7*
	4.5			4.0*	4.0*	2.7	3.4*			2.2*
	3.0	7.1*	7.1*	4.1	4.9*	2.7	4.1*			2.1*
	1.5	6.4*	6.4*	3.8	6.0*	2.5	4.5*			2.0
	0	6.5*	6.5*	3.6	6.5*	2.4	4.8*			2.0

Stick 2.65 m

Under-carriage	m	3.0 m		4.5 m		6.0 m		7.5 m		m
		↕	↔	↕	↔	↕	↔	↕	↔	
S	7.5									
	6.0			3.5*	3.5*					2.4*
	4.5			3.8	3.8*	2.4	3.4*			2.0*
	3.0	6.6*	6.6*	3.5	4.7*	2.3	3.5			1.7
	1.5	5.8	7.8*	3.2	5.3	2.1	3.4			1.6
	0	5.4	6.6*	3.0	5.0	2.0	3.3			1.6
Blade up	7.5									
	6.0			3.5*	3.5*					2.4*
	4.5			3.8*	3.8*	2.5	3.4*			2.0*
	3.0	6.6*	6.6*	3.8	4.7*	2.4	3.6			1.9
	1.5	6.3	7.7*	3.5	5.3	2.3	3.4			1.8
	0	5.9	6.7*	3.3	5.1	2.2	3.3			1.8
Blade down	7.5									
	6.0			3.5*	3.5*					2.4*
	4.5			3.8*	3.8*	2.8	3.4*			2.0*
	3.0	6.6*	6.6*	4.1	4.7*	2.7	4.0*			1.9*
	1.5	7.0	7.7*	3.8	5.8*	2.5	4.4*			1.9
	0	6.6	6.7*	3.6	6.5*	2.4	4.7*			1.9

↕ Height ↔ Can be slewed through 360° In longitudinal position of undercarriage Max. reach * Limited by hydr. capacity

The load values are quoted in tons (t) at stick end (without bucket), and may be swung 360° on firm and even ground. Adjacent values are valid for the undercarriage when in the longitudinal position. Capacities are valid for 600 mm wide track pads. Indicated loads are based on ISO 10567 standard and do not exceed 75 % of tipping or 87 % of hydraulic capacity (indicated via *). Without bucket cylinder, link and lever the lift capacities will increase by 186 kg. Lifting capacity of the excavator is limited by machine stability and hydraulic capacity.

According to European Standard, EN 474-5: In the European Union excavators have to be equipped with an overload warning device, a load diagram and automatic safety check valves on hoist cylinders and stick cylinder(s), when they are used for lifting operations which require the use of lifting accessories.

Lift Capacities

with Two-Piece Boom 4.85 m, Counterweight 2.8 t and Track Pads 600 mm

Stick 2.05 m

Under-carriage	m	3.0 m		4.5 m		6.0 m		7.5 m		m		
		↕	↔	↕	↔	↕	↔	↕	↔	↕	↔	
S	7.5									3.5*	3.5*	3.5
	6.0									2.8*	2.8*	5.4
	4.5	6.7*	6.7*	3.9	4.9*	2.4	3.6			2.1	2.6*	6.4
	3.0	6.8	9.2*	3.8	5.6	2.4	3.6			1.8	2.6*	6.9
	1.5	6.7	9.6*	3.8	5.6	2.3	3.5			1.7	2.7	7.0
	0	6.5	10.5*	3.5	5.6	2.2	3.4			1.7	2.7	6.8
Blade up	-1.5	6.2	10.7*	3.3	5.3	2.1	3.3			1.9	3.1	6.3
	-3.0	6.0	9.3*	3.1	4.7*					2.7	3.4*	5.0
	7.5			4.1	4.9*					3.5*	3.5*	3.5
	6.0			4.1	5.3*	2.5	3.7			2.8*	2.8*	5.4
	4.5	6.8*	6.8*	4.1	5.6	2.5	3.7			2.3	2.6*	6.4
	3.0	7.2	9.3*	4.1	5.6	2.5	3.7			1.9	2.6*	6.9
Blade down	1.5	7.1	9.6*	4.0	5.6	2.5	3.6			1.8	2.7	7.0
	0	7.0	10.5*	3.8	5.7	2.3	3.5			1.9	2.8	6.8
	-1.5	6.7	10.7*	3.5	5.4	2.3	3.4			2.1	3.1	6.3
	-3.0	6.4	9.3*	3.4	4.7*					3.0	3.4*	5.0
	7.5			4.4	4.9*					2.8*	2.8*	5.4
	6.0	6.8*	6.8*	4.4	5.3*	2.8	4.4*			2.4	2.6*	6.4
S	4.5	7.8	9.3*	4.3	6.0*	2.7	4.7*			2.1	2.6*	6.9
	3.0	7.7	9.6*	4.3	6.6*	2.7	4.8*			2.0	2.7*	7.0
	1.5	7.7	10.5*	4.1	6.6*	2.6	4.9*			2.1	3.1*	6.8
	0	7.4	10.7*	3.9	6.8*	2.5	4.1*			2.3	3.5*	6.3
	-1.5	7.4	10.7*	3.9	6.8*	2.5	4.1*			2.3	3.5*	6.3
	-3.0	7.1	9.3*	3.7	4.7*					3.2	3.4*	5.0

Stick 2.25 m

Under-carriage	m	3.0 m		4.5 m		6.0 m		7.5 m		m		
		↕	↔	↕	↔	↕	↔	↕	↔	↕	↔	
S	7.5									3.1*	3.1*	3.9
	6.0									2.5*	2.5*	5.6
	4.5	5.6*	5.6*	3.9	4.6*	2.4	3.6			2.0	2.3*	6.6
	3.0	6.8	9.1*	3.8	5.6	2.4	3.6			1.7	2.3*	7.1
	1.5	6.7	9.5*	3.8	5.5	2.3	3.6			1.6	2.4*	7.2
	0	6.5	10.4*	3.6	5.6	2.2	3.4			1.6	2.6	7.0
Blade up	-1.5	6.2	10.6*	3.3	5.3	2.1	3.3			1.8	2.9	6.5
	-3.0	6.0	9.9*	3.1	5.2					2.5	3.2*	5.3
	7.5			4.1	4.6*					3.0*	3.0*	3.9
	6.0			4.1	5.1*	2.6	3.7			2.1	2.3*	5.6
	4.5	5.6*	5.6*	4.0	5.6	2.6	3.7			1.9	2.3*	6.6
	3.0	7.2	9.2*	4.0	5.6	2.6	3.7			1.9	2.3*	7.1
Blade down	1.5	7.1	9.5*	4.0	5.6	2.5	3.6			1.8	2.5*	7.2
	0	7.0	10.4*	3.8	5.7	2.4	3.5			1.8	2.7	7.0
	-1.5	6.7	10.6*	3.6	5.4	2.2	3.4			2.0	3.0	6.5
	-3.0	6.4	9.8*	3.4	5.2					2.7	3.2*	5.3
	7.5			4.5	4.6*					2.5*	2.5*	5.6
	6.0	5.6*	5.6*	4.4	5.1*	2.8	4.3*			2.3*	2.3*	6.6
S	4.5	7.8	9.2*	4.3	5.9*	2.8	4.6*			2.0	2.3*	7.1
	3.0	7.7	9.5*	4.3	6.5*	2.7	4.8*			1.9	2.5*	7.2
	1.5	7.7	10.4*	4.2	6.6*	2.6	4.8*			2.0	2.7*	7.0
	0	7.4	10.6*	3.9	6.8*	2.5	4.4*			2.2	3.4*	6.5
	-1.5	7.4	10.6*	3.9	6.8*	2.5	4.4*			2.2	3.4*	6.5
	-3.0	7.1	9.8*	3.7	5.3*					3.0	3.2*	5.3

Stick 2.45 m

Under-carriage	m	3.0 m		4.5 m		6.0 m		7.5 m		m		
		↕	↔	↕	↔	↕	↔	↕	↔	↕	↔	
S	7.5									2.7*	2.7*	4.3
	6.0									2.2*	2.2*	5.9
	4.5	4.8*	4.8*	3.9	5.0*	2.4	3.7			1.9	2.1*	6.8
	3.0	6.8	8.7*	3.8	5.6	2.4	3.6			1.6	2.1*	7.3
	1.5	6.7	9.4*	3.8	5.5	2.3	3.6			1.5	2.2*	7.4
	0	6.6	10.3*	3.6	5.6	2.2	3.4			1.6	2.5*	7.2
Blade up	-1.5	6.2	10.5*	3.3	5.4	2.1	3.3			1.7	2.8	6.7
	-3.0	6.0	10.3*	3.1	5.2					2.2	2.8*	5.7
	7.5			4.1	4.2*					2.7*	2.7*	4.3
	6.0			4.1	5.0*	2.6	3.7			2.2*	2.2*	5.9
	4.5	4.8*	4.8*	4.1	5.0*	2.6	3.7			2.0	2.1*	6.8
	3.0	7.2	8.8*	4.0	5.6	2.6	3.7			1.8	2.1*	7.3
Blade down	1.5	7.1	9.4*	4.0	5.6	2.5	3.6			1.7	2.2*	7.4
	0	7.0	10.3*	3.8	5.6	2.4	3.5			1.7	2.5*	7.2
	-1.5	6.7	10.5*	3.6	5.4	2.2	3.4			1.9	2.8	6.7
	-3.0	6.4	10.3*	3.4	5.2					2.4	2.9*	5.7
	7.5			4.2*	4.2*					2.2*	2.2*	5.9
	6.0	4.8*	4.8*	4.4	5.0*	2.8	4.2*			2.1*	2.1*	6.8
S	4.5	7.8	8.8*	4.3	5.7*	2.8	4.5*			1.9	2.1*	7.3
	3.0	7.7	9.4*	4.3	6.4*	2.7	4.7*			1.8	2.2*	7.4
	1.5	7.7	10.3*	4.2	6.5*	2.6	4.8*			1.9	2.5*	7.2
	0	7.4	10.5*	3.9	6.7*	2.5	4.6*			2.1	3.0*	6.7
	-1.5	7.4	10.5*	3.9	6.7*	2.5	4.6*			2.1	3.0*	6.7
	-3.0	7.2	10.3*	3.7	5.7*					2.6	2.9*	5.7

Stick 2.65 m

Under-carriage	m	3.0 m		4.5 m		6.0 m		7.5 m		m		
		↕	↔	↕	↔	↕	↔	↕	↔	↕	↔	
S	7.5									2.4*	2.4*	4.6
	6.0									2.0*	2.0*	6.1
	4.5			3.9	3.9*	2.4	2.5*			1.8	1.9*	7.0
	3.0	6.8	8.4*	3.8	5.6	2.4	3.7			1.6	1.9*	7.5
	1.5	6.6	9.4*	3.7	5.5	2.3	3.6	1.5	2.4	1.5	2.0*	7.6
	0	6.6	10.1*	3.6	5.5	2.2	3.5			1.5	2.2*	7.4
Blade up	-1.5	6.2	10.5*	3.4	5.4	2.1	3.3			1.6	2.6	6.9
	-3.0	6.0	10.6*	3.1	5.1					2.0	2.8*	6.0
	7.5			2.8*	2.8*					2.4*	2.4*	4.6
	6.0			3.9*	3.9*	2.5*	2.5*			2.0*	2.0*	6.1
	4.5			4.1	4.5*	2.6	3.7			1.9*	1.9*	7.0
	3.0	7.2	8.4*	4.0	5.6*	2.6	3.7			1.7	1.9*	7.5
Blade down	1.5	7.0	9.4*	4.0	5.5	2.5	3.6	1.6	2.4	1.6	2.0*	7.6
	0	7.1	10.1*	3.8	5.6	2.4	3.5			1.6	2.2*	7.4
	-1.5	6.7	10.5*	3.6	5.5	2.2	3.4			1.8	2.7*	6.9
	-3.0	6.5	10.6*	3.4	5.2					2.2	2.8*	6.0
	7.5			2.8*	2.8*					2.4*	2.4*	4.6
	6.0			3.9*	3.9*	2.5*	2.5*			2.0*	2.0*	6.1
S	4.5			4.4	4.5*	2.8	4.0*			1.9*	1.9*	7.0
	3.0	7.8	8.4*	4.3	5.6*	2.8	4.4*			1.9	1.9*	7.5
	1.5	7.6	9.4*	4.3	6.3*	2.7	4.7*	1.8	2.6*	1.8	2.0*	7.6
	0	7.7	10.1*	4.2	6.5*	2.6	4.7*			1.8	2.2*	7.4
	-1.5	7.4	10.5*	3.9	6.6*	2.5	4.7*			2.0	2.7*	6.9
	-3.0	7.2	10.6*	3.7	6.1*					2.4	2.8*	6.0

↕ Height ↔ Can be slewed through 360° In longitudinal position of undercarriage Max. reach * Limited by hydr. capacity

The load values are quoted in tons (t) at stick end (without bucket), and may be swung 360° on firm and even ground. Adjacent values are valid for the undercarriage when in the longitudinal position. Capacities are valid for 600 mm wide track pads with adjusting cylinder in optimal position. Indicated loads are based on ISO 10567 standard and do not exceed 75% of tipping or 87% of hydraulic capacity (indicated via *). Without bucket cylinder, link and lever the lift capacities will increase by 186 kg. Lifting capacity of the excavator is limited by machine stability and hydraulic capacity.

According to European Standard, EN 474-5: In the European Union excavators have to be equipped with an overload warning device, a load diagram and automatic safety check valves on hoist cylinders and stick cylinder(s), when they are used for lifting operations which require the use of lifting accessories.

Lift Capacities

with Mono Boom Offset 4.30 m, Counterweight 2.8 t and Track Pads 600 mm

Stick 2.05 m

Under-carriage	m	3.0 m		4.5 m		6.0 m		7.5 m		m
S	7.5									
	6.0	5.0*	5.0*					2.7*	2.7*	4.5
	4.5	5.7*	5.7*	3.7	4.8*			2.5*	2.5*	5.6
	3.0	6.5	8.1*	3.5	5.5	2.2	3.5	2.1	2.6*	6.2
	1.5	5.6	7.8*	3.2	5.2	2.1	3.4	1.9	2.8*	6.4
	0	5.4	8.5*	3.0	5.0	2.0	3.3	2.0	3.2	6.2
Blade up	-1.5	5.4	8.6*	3.0	5.0			2.3	3.7	5.5
	-3.0	5.6	5.9*					3.3	4.1*	4.3
	7.5									
	6.0	5.0*	5.0*					2.7*	2.7*	4.5
	4.5	5.7*	5.7*	4.0	4.9*			2.5*	2.5*	5.6
	3.0	6.9	8.1*	3.7	5.6*	2.4	3.5	2.3	2.6*	6.2
Blade down	1.5	6.1	7.8*	3.5	5.3	2.3	3.4	2.1	2.8*	6.4
	0	5.8	8.6*	3.3	5.1	2.2	3.3	2.2	3.2	6.2
	-1.5	5.9	8.6*	3.2	5.0			2.5	3.7	5.5
	-3.0	5.8*	5.8*					3.6	4.1*	4.3
	7.5									
	6.0	5.0*	5.0*					2.7*	2.7*	4.5
S	4.5	5.7*	5.7*	4.3	4.9*			2.5*	2.5*	5.6
	3.0	7.7	8.1*	4.1	5.6*	2.6	3.9*	2.5	2.6*	6.2
	1.5	6.8	7.8*	3.8	6.3*	2.5	4.8*	2.3	2.8*	6.4
	0	6.5	8.6*	3.6	6.6*	2.4	4.7*	2.4	3.4*	6.2
	-1.5	6.6	8.6*	3.6	5.9*			2.7	4.5*	5.5
	-3.0	5.8*	5.8*					4.0	4.1*	4.3

Stick 2.25 m

Under-carriage	m	3.0 m		4.5 m		6.0 m		7.5 m		m
S	7.5									
	6.0							3.2*	3.2*	4.7
	4.5	5.3*	5.3*	3.7	4.6*			2.3*	2.3*	5.8
	3.0	6.6	7.7*	3.5	5.4*	2.2	3.5	2.0	2.3*	6.4
	1.5	5.7	9.4*	3.2	5.2	2.1	3.4	1.9	2.5*	6.6
	0	5.4	8.7*	3.0	5.0	2.0	3.3	1.9	3.0*	6.3
Blade up	-1.5	5.3	8.9*	2.9	4.9			2.1	3.5	5.7
	-3.0	5.5	6.4*	3.0	4.2*			3.0	4.1*	4.5
	7.5									
	6.0	5.4*	5.4*	4.0	4.7*			2.4*	2.4*	4.7
	4.5	7.0	7.7*	3.8	5.4*	2.4	3.5	2.2	2.3*	5.8
	3.0	6.1	9.4*	3.5	5.3	2.3	3.4	2.0	2.5*	6.4
Blade down	1.5	5.8	8.7*	3.3	5.1	2.2	3.3	2.1	3.0*	6.6
	0	5.8	8.9*	3.2	5.0			2.3	3.5	6.3
	-1.5	6.0	6.3*	3.3	4.1*			3.3	4.1*	5.7
	-3.0									4.5
	7.5									
	6.0									
S	4.5	5.4*	5.4*	4.3	4.7*			2.4*	2.4*	4.7
	3.0	7.7*	7.7*	4.1	5.4*	2.6	4.1*	2.3*	2.3*	5.8
	1.5	6.8	9.4*	3.8	6.2*	2.5	4.7*	2.2	2.5*	6.6
	0	6.5	8.7*	3.6	6.5*	2.4	4.7*	2.2	3.0*	6.3
	-1.5	6.5	8.9*	3.5	6.0*			2.6	4.1*	5.7
	-3.0	6.3*	6.3*	3.6	4.1*			3.6	4.1*	4.5

Stick 2.45 m

Under-carriage	m	3.0 m		4.5 m		6.0 m		7.5 m		m
S	7.5							2.9*	2.9*	2.8
	6.0							2.2*	2.2*	5.0
	4.5	4.7*	4.7*	3.8	4.4*	2.2*	2.2*	2.1*	2.1*	6.0
	3.0	6.7	7.2*	3.5	5.2*	2.2	3.5	1.9	2.1*	6.6
	1.5	5.7	9.7*	3.2	5.2	2.1	3.4	1.8	2.3*	6.7
	0	5.3	8.8*	3.0	5.0	2.0	3.3	1.8	2.7*	6.5
Blade up	-1.5	5.3	9.1*	2.9	4.9			2.0	3.3	5.9
	-3.0	5.4	6.8*	3.0	4.6*			2.7	4.1*	4.8
	7.5							2.8*	2.8*	2.8
	6.0			3.4*	3.4*			2.2*	2.2*	5.0
	4.5	4.8*	4.8*	4.0	4.5*	2.3*	2.3*	2.1*	2.1*	6.0
	3.0	7.1	7.3*	3.8	5.2*	2.4	3.5	2.1	2.1*	6.6
Blade down	1.5	6.2	9.7*	3.5	5.3	2.3	3.4	1.9	2.3*	6.7
	0	5.8	8.8*	3.2	5.1	2.2	3.3	2.0	2.7*	6.5
	-1.5	5.8	9.1*	3.2	5.0			2.2	3.3	5.9
	-3.0	5.9	6.8*	3.3	4.5*			3.0	4.1*	4.8
	7.5									
	6.0			3.4*	3.4*			2.8*	2.8*	2.8
S	4.5	4.8*	4.8*	4.4	4.5*	2.3*	2.3*	2.1*	2.1*	6.0
	3.0	7.3*	7.3*	4.1	5.2*	2.6	4.2*	2.1*	2.1*	6.6
	1.5	6.9	9.7*	3.8	6.1*	2.5	4.6*	2.1	2.3*	6.7
	0	6.5	8.8*	3.6	6.5*	2.4	4.7*	2.1	2.7*	6.5
	-1.5	6.4	9.1*	3.5	6.1*			2.4	3.5*	5.9
	-3.0	6.6	6.8*	3.6	4.5*			3.3	4.1*	4.8

Stick 2.65 m

Under-carriage	m	3.0 m		4.5 m		6.0 m		7.5 m		m
S	7.5							2.5*	2.5*	3.3
	6.0							2.0*	2.0*	5.2
	4.5			3.3*	3.3*			1.9*	1.9*	6.2
	3.0	6.8	6.8*	3.5	5.0*	2.2	3.5	1.8	1.9*	6.8
	1.5	5.8	9.4*	3.2	5.3	2.1	3.4	1.7	2.1*	6.9
	0	5.3	9.0*	3.0	5.0	2.0	3.2	1.7	2.4*	6.7
Blade up	-1.5	5.2	9.3*	2.9	4.9	2.0	3.2	1.9	3.1	6.1
	-3.0	5.4	7.2*	2.9	4.9*			2.5	4.1*	5.1
	7.5							2.5*	2.5*	3.3
	6.0			3.4*	3.4*			2.0*	2.0*	5.2
	4.5			4.1	4.2*	2.5	2.7*	1.9*	1.9*	6.2
	3.0	6.8*	6.8*	3.8	5.0*	2.4	3.6	1.9*	1.9*	6.8
Blade down	1.5	6.3	9.5*	3.5	5.3	2.3	3.4	1.8	2.1*	6.9
	0	5.8	9.0*	3.2	5.1	2.2	3.3	1.9	2.4*	6.7
	-1.5	5.7	9.3*	3.1	4.9	2.1	3.2	2.1	3.1*	6.1
	-3.0	5.8	7.2*	3.2	4.8*			2.8	4.1*	5.1
	7.5									
	6.0			3.4*	3.4*			2.5*	2.5*	3.3
S	4.5			4.2*	4.2*	2.7*	2.7*	1.9*	1.9*	6.2
	3.0	6.8*	6.8*	4.1	5.0*	2.6	4.1*	1.9*	1.9*	6.8
	1.5	7.0	9.5*	3.8	6.0*	2.5	4.6*	2.0	2.1*	6.9
	0	6.5	9.0*	3.6	6.5*	2.4	4.7*	2.0	2.4*	6.7
	-1.5	6.4	9.3*	3.5	6.2*	2.4	4.3*	2.3	3.1*	6.1
	-3.0	6.5	7.2*	3.5	4.8*			3.0	4.1*	5.1

Height Can be slewed through 360° In longitudinal position of undercarriage Max. reach * Limited by hydr. capacity

The load values are quoted in tons (t) at stick end (without bucket), and may be swung 360° on firm and even ground. Adjacent values are valid for the undercarriage when in the longitudinal position. Capacities are valid for 600 mm wide track pads. Indicated loads are based on ISO 10567 standard and do not exceed 75 % of tipping or 87 % of hydraulic capacity (indicated via *). Without bucket cylinder, link and lever the lift capacities will increase by 186 kg. Lifting capacity of the excavator is limited by machine stability and hydraulic capacity.

According to European Standard, EN 474-5: In the European Union excavators have to be equipped with an overload warning device, a load diagram and automatic safety check valves on hoist cylinders and stick cylinder(s), when they are used for lifting operations which require the use of lifting accessories.

Lift Capacities

with Two-Piece Boom Offset 4.90 m, Counterweight 2.8 t and Track Pads 600 mm

Stick 2.05 m

Under-carriage	m	3.0 m		4.5 m		6.0 m		7.5 m		m		
		3.0 m	4.5 m	6.0 m	7.5 m	3.3*	3.3*	3.5				
S	7.5									3.3*	3.3*	3.5
	6.0									2.7*	2.7*	5.4
	4.5	6.6*	6.6*	3.8	4.7*	2.2	3.5			2.0	2.5*	6.4
	3.0	6.6	8.8*	3.7	5.4	2.2	3.5			1.6	2.5*	6.9
	1.5	6.5	9.1*	3.7	5.4	2.1	3.4			1.5	2.5	7.0
	0	6.4	9.9*	3.5	5.5	2.0	3.3			1.5	2.6	6.8
Blade up	-1.5	6.0	10.2*	3.1	5.1	1.9	3.1			1.7	2.9	6.3
	-3.0	5.6	9.2*	2.9	4.7*					2.3	3.0*	5.1
	7.5									3.3*	3.3*	3.5
	6.0									2.7*	2.7*	5.4
	4.5	6.7*	6.7*	4.1	4.7*	2.4	3.6			2.1	2.5*	6.4
	3.0	7.0	8.8*	4.0	5.5	2.4	3.6			1.8	2.5*	6.9
Blade down	1.5	6.9	9.1*	4.0	5.4	2.3	3.5			1.7	2.6	7.0
	0	6.9	9.9*	3.7	5.6	2.2	3.3			1.7	2.6	6.8
	-1.5	6.5	10.2*	3.3	5.2	2.0	3.2			1.9	2.9	6.3
	-3.0	6.1	9.1*	3.1	4.6*					2.6	3.0*	5.1
	7.5									3.3*	3.3*	3.5
	6.0									2.7*	2.7*	5.4
Blade down	4.5	6.7*	6.7*	4.4	4.7*	2.6	4.2*			2.3	2.5*	6.4
	3.0	7.6	8.8*	4.3	5.0*	2.6	4.4*			2.0	2.5*	6.9
	1.5	7.5*	9.1*	4.2	6.2*	2.5	4.5*			1.8	2.7*	7.0
	0	7.6	9.9*	4.1	6.3*	2.4	4.6*			1.9	3.1*	6.8
	-1.5	7.2	10.2*	3.7	6.5*	2.2	4.0*			2.1	3.4*	6.3
	-3.0	6.8	9.1*	3.5	4.6*					2.9	3.0*	5.1

Stick 2.25 m

Under-carriage	m	3.0 m		4.5 m		6.0 m		7.5 m		m		
		3.0 m	4.5 m	6.0 m	7.5 m	2.9*	2.9*	3.9				
S	7.5									2.9*	2.9*	3.9
	6.0									2.4*	2.4*	5.6
	4.5	6.0*	6.0*	3.8	4.8*	2.3	3.6			1.9	2.3*	6.6
	3.0	6.7	8.6*	3.7	5.4	2.3	3.6			1.6	2.3*	7.1
	1.5	6.5	9.0*	3.7	5.3	2.2	3.5			1.4	2.4	7.2
	0	6.5	9.8*	3.5	5.4	2.0	3.3			1.5	2.5	7.0
Blade up	-1.5	6.0	10.1*	3.1	5.2	1.9	3.1			1.6	2.7	6.5
	-3.0	5.6	9.7*	2.9	4.9					2.1	2.9*	5.5
	7.5									2.9*	2.9*	3.9
	6.0									2.4*	2.4*	5.6
	4.5	6.0*	6.0*	4.1	4.8*	2.5	3.6			2.0	2.3*	6.6
	3.0	7.0	8.7*	3.9	5.5	2.5	3.6			1.7	2.3*	7.1
Blade down	1.5	6.9	9.0*	3.9	5.4	2.4	3.5			1.6	2.4*	7.2
	0	6.9	9.9*	3.7	5.5	2.2	3.3			1.6	2.5	7.0
	-1.5	6.5	10.1*	3.4	5.3	2.0	3.2			1.8	2.8	6.5
	-3.0	6.1	9.6*	3.1	5.0					2.3	2.9*	5.5
	7.5									2.9*	2.9*	3.9
	6.0									2.4*	2.4*	5.6
Blade down	4.5	6.0*	6.0*	4.4	4.5*	2.7	4.1*			2.2	2.3*	6.6
	3.0	7.6	8.7*	4.2	5.5*	2.7	4.3*			1.9	2.3*	7.1
	1.5	7.4	9.0*	4.2	6.1*	2.6	4.5*			1.8	2.4*	7.2
	0	7.6	9.9*	4.1	6.2*	2.4	4.6*			1.8	2.8*	7.0
	-1.5	7.2	10.1*	3.7	6.5*	2.3	4.2*			2.0	3.4*	6.5
	-3.0	6.8	9.6*	3.5	5.1*					2.6	2.9*	5.5

Stick 2.45 m

Under-carriage	m	3.0 m		4.5 m		6.0 m		7.5 m		m		
		3.0 m	4.5 m	6.0 m	7.5 m	2.6*	2.6*	4.2				
S	7.5									2.6*	2.6*	4.2
	6.0									2.2*	2.2*	5.9
	4.5									1.8	2.0*	6.8
	3.0	6.7	8.2*	3.7	5.4*	2.3	3.6			1.5	2.1*	7.3
	1.5	6.5	9.0*	3.7	5.3	2.2	3.5			1.4	2.2*	7.4
	0	6.5	9.7*	3.5	5.4	2.0	3.3			1.4	2.3	7.2
Blade up	-1.5	6.0	10.0*	3.2	5.2	1.9	3.1			1.5	2.6	6.7
	-3.0	5.7	10.0*	2.9	4.9					1.9	2.9*	5.7
	7.5									2.5*	2.5*	4.2
	6.0									2.1*	2.1*	5.9
	4.5									1.9	2.0*	6.8
	3.0	7.0	8.3*	3.9	5.4*	2.5	3.6			1.6	2.1*	7.3
Blade down	1.5	6.8	9.0*	3.9*	5.4	2.4	3.5			1.5	2.2*	7.4
	0	6.9	9.7*	3.8	5.4	2.2	3.4			1.5	2.4	7.2
	-1.5	6.5	10.0*	3.4	5.3	2.0	3.2			1.7	2.6	6.7
	-3.0	6.1	10.0*	3.1	5.0					2.1	2.9*	5.7
	7.5									2.5*	2.5*	4.2
	6.0									2.1*	2.1*	5.9
Blade down	4.5									2.0*	2.0*	6.8
	3.0	7.6	8.3*	4.2	5.4*	2.7	4.0*			1.8	2.1*	7.3
	1.5	7.4	9.0*	4.2	6.0*	2.6	4.4*			1.7	2.2*	7.4
	0	7.5	9.7*	4.1	6.2*	2.4	4.5*			1.7	2.5*	7.2
	-1.5	7.2	10.0*	3.8	6.3*	2.3	4.4*			1.9	3.0*	6.7
	-3.0	6.8	10.0*	3.5	5.6*					2.4	2.9*	5.7

Stick 2.65 m

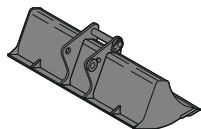
Under-carriage	m	3.0 m		4.5 m		6.0 m		7.5 m		m		
		3.0 m	4.5 m	6.0 m	7.5 m	2.3*	2.3*	4.6				
S	7.5									2.3*	2.3*	4.6
	6.0									1.9*	1.9*	6.1
	4.5									1.7	1.9*	7.0
	3.0	6.7	7.9*	3.7	5.2*	2.4	3.6			1.4	1.9*	7.5
	1.5	6.4	8.9*	3.6	5.3	2.3	3.5			1.3	2.0*	7.6
	0	6.5	9.6*	3.5	5.3	2.1	3.3	1.3	2.3	1.3	2.0*	7.4
Blade up	-1.5	6.0	9.9*	3.2	5.3	1.9	3.2			1.4	2.5	6.9
	-3.0	5.7	10.3*	2.9	4.9					1.8	2.9*	6.0
	7.5									2.3*	2.3*	4.6
	6.0									1.9*	1.9*	6.1
	4.5									1.8	1.9*	7.0
	3.0	7.0*	7.9*	3.9	5.2*	2.5	3.6			1.6	1.9*	7.5
Blade down	1.5	6.8	8.9*	3.9	5.3	2.4	3.6	1.5	2.3	1.4	2.0*	7.6
	0	6.9	9.6*	3.8	5.4	2.3	3.4			1.5	2.2*	7.4
	-1.5	6.5	9.9*	3.5	5.4	2.1	3.2			1.6	2.5	6.9
	-3.0	6.2	10.3*	3.1	5.0					2.0	2.9*	6.0
	7.5									2.3*	2.3*	4.6
	6.0									1.9*	1.9*	6.1
Blade down	4.5									1.9*	1.9*	7.0
	3.0	7.6	7.9*	4.2	5.2*	2.7	4.1*			1.7	1.9*	7.5
	1.5	7.4	8.9*	4.1	5.9*	2.6	4.4*	1.6	2.5*	1.6	2.0*	7.6
	0	7.4	9.6*	4.1	6.1*	2.5	4.5*			1.6	2.2*	7.4
	-1.5	7.2	9.9*	3.8	6.3*	2.3	4.4*			1.8	2.7*	6.9
	-3.0	6.9	10.3*	3.5	5.9*					2.2	2.9*	6.0

↑ Height ↺ Can be slewed through 360° ⚙ In longitudinal position of undercarriage 🏗 Max. reach * Limited by hydr. capacity

The load values are quoted in tons (t) at stick end (without bucket), and may be swung 360° on firm and even ground. Adjacent values are valid for the undercarriage when in the longitudinal position. Capacities are valid for 600 mm wide track pads with adjusting cylinder in optimal position. Indicated loads are based on ISO 10567 standard and do not exceed 75% of tipping or 87% of hydraulic capacity (indicated via *). Without bucket cylinder, link and lever the lift capacities will increase by 186 kg. Lifting capacity of the excavator is limited by machine stability and hydraulic capacity.

According to European Standard, EN 474-5: In the European Union excavators have to be equipped with an overload warning device, a load diagram and automatic safety check valves on hoist cylinders and stick cylinder(s), when they are used for lifting operations which require the use of lifting accessories.

Available Attachments



Rigid Ditch Cleaning Bucket

GRL 90, for direct mounting

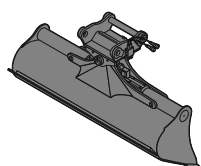
Cutting width	mm	1,500	2,000	2,000		
Capacity	m ³	0.35	0.48	0.65		
Weight	kg	275	350	390		

GRL 90, for mounting to quick coupler SWA 33

Cutting width	mm	1,500	2,000	2,000		
Capacity	m ³	0.50	0.48	0.65		
Weight	kg	360	350	390		

GRL 90, for mounting to quick coupler SWA 48

Cutting width	mm	1,500	1,500	2,000	2,400	
Capacity	m ³	0.50	0.95	0.70	0.85	
Weight	kg	430	560	400	600	



Tilttable Ditch Cleaning Bucket

GRL 90, 2 x 50° tilttable, for direct mounting

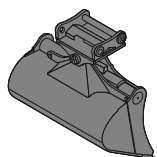
Cutting width	mm	1,600	1,600	2,000	2,000	2,200	2,400
Capacity	m ³	0.55	0.80	0.50	0.70	0.80	0.85
Weight	kg	640	770	650	790	800	850

GRL 90, 2 x 50° tilttable, for mounting to quick coupler SWA 33

Cutting width	mm	1,600	1,600	2,000	2,000	2,000	2,200
Capacity	m ³	0.55	0.80	0.50	0.70	1.00	0.80
Weight	kg	650	770	660	780	880	800

GRL 90, 2 x 50° tilttable, for mounting to quick coupler SWA 48

Cutting width	mm	1,600	1,600	2,000	2,000	2,000	2,200	2,400
Capacity	m ³	0.55	0.80	0.50	0.70	1.00	0.80	0.85
Weight	kg	730	850	740	870	940	870	930



Tilt Bucket

SL 90, 2 x 50° tilttable, for direct mounting

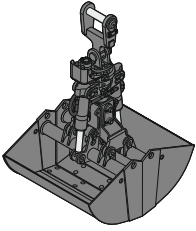
Cutting width	mm	1,500	1,600			
Capacity	m ³	0.60	0.80			
Weight	kg	650	740			

SL 90, 2 x 50° tilttable, for mounting to quick coupler SWA 33

Cutting width	mm	1,500	1,600	1,600		
Capacity	m ³	0.60	0.80	1.00		
Weight	kg	660	740	740		

SL 90, 2 x 50° tilttable, for mounting to quick coupler SWA 33 and SWA 48

Cutting width	mm	1,500	1,600	1,600	1,600	1,600
Capacity	m ³	1.20	0.80	0.60	1.00	1.00
Weight	kg	870	820	950	870	1,000
HD-version		X		X		X



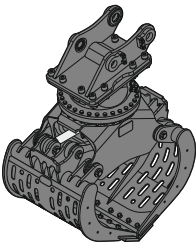
Clamshells

GM 5B, earthmoving shell, for mounting to quick coupler SWA 33

Cutting width	mm	300	400	600	800	1,000
Capacity	m ³	0.10	0.13	0.20	0.27	0.34
Weight	kg	530	570	600	640	710

GMZ 18, earthmoving shell, for mounting to quick coupler SWA 48

Cutting width	mm	320	400	600	800
Capacity	m ³	0.17	0.22	0.30	0.40
Weight	kg	750	840	780	830



Sorting Grab

perforated

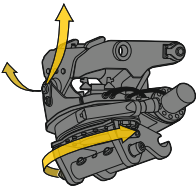
closed

SG 20B, for mounting to quick coupler SWA 33

Cutting width	mm	800	1,000	1,200	1,400	800	1,000	1,200	1,400
Capacity	m ³	0.40	0.50	0.60	0.70	0.40	0.50	0.60	0.70
Weight	kg	750	795	840	990	765	810	850	1,010

SG 20B, for mounting to quick coupler SWA 48

Cutting width	mm	800	1,000	1,200	1,400	800	1,000	1,200	1,400
Capacity	m ³	0.40	0.50	0.60	0.70	0.40	0.50	0.60	0.70
Weight	kg	750	795	840	990	765	810	850	1,010



Tiltrotator

LH-TR 20, for mounting to quick coupler SWA 33

Weight	kg	470
Rotation		360°
Tilt		2 x 50°

LH-TR 20, for mounting to quick coupler SWA 48

Weight	kg	470
Rotation		360°
Tilt		2 x 50°

Serial Equipment

Undercarriage

- Lashing eyes
- Sprocket double-toothed
- Track and carrier rollers, sealed and lifetime-lubricated
- Undercarriage S

Uppercarriage

- Centralised lubrication system (automatic)
- Engine hood with gas spring opening
- Filters accessible from ground level
- Front right rearview mirrors
- Hydraulic oil level, visible from ground level
- Lockable fuel tank cap
- Lockable service doors
- Main switch, manual, lockable
- Protection grid on radiator fan
- Sound insulation
- Swing drive gearbox oil level, visible from the cab
- Swing-out fan
- Windshield washer fluid tank

Hydraulic System

- Filter with integrated fine filters
- Hydraulic pressure measuring ports
- Hydraulic tank shut-off valve
- Liebherr Synchron Comfort System (LSC)
- Magnetic rod
- Pressure accumulator for controlled lowering of equipment with engine turned off

Engine

- Air filter with automatic dust ejector
- Automatic engine idling / speed increase, controlled via joystick sensors
- Common-Rail injection system
- Exhaust gas after-treatment system – DOC + DPF + SCR
- Fixed geometry turbocharger
- Fuel fine filter
- Fuel pre-filter and water separator
- Fuel priming pump
- Intercooler
- Power Pack EU Stage V
- Stepless adjustable engine speed

Operator's Cab

- 7" multifunction colour touchscreen
- Air conditioning, automatic, tri-zone, controlled via display
- Armrests adjustable in width, height and inclination
- Bottle holder
- Cab air filters housing, accessible from ground level
- Cab door sliding windows
- Coat hook
- DEF consumption on touchscreen
- DEF level on touchscreen
- Electric socket in cabin (12 V)
- Electric socket in cabin (24 V)
- Emergency hammer
- Fuel consumption on touchscreen
- Fuel level on touchscreen
- Impact resistant roof window
- Interior lighting
- Laminated right hand side window
- LIDAT Plus (Liebherr data transfer system) *
- Mechanical hour meters, visible from ground level
- Rain hood over front window opening
- Rearview mirror
- Rear view monitoring camera
- Rear window emergency exit
- Roll-down sun blinds for windscreen and roof window
- ROPS safety cab structure (ISO 12117-2)
- Rubber floor mat, fixed on floor and removable
- Shortcut button on joystick configurable
- Storage nets
- Storage spaces
- Tilttable console left
- Tinted windows
- Visco-elastic damping
- Windscreen wiper and washer
- Work mode selector

Equipment

- Boom cylinders regeneration
- Pipe fracture safety valve for stick cylinder
- Pipe fracture safety valves for boom cylinders
- SAE split flanges on high pressure lines
- Stick cylinder regeneration

* optionally extendable after one year

Equipment Standard/Option

Undercarriage

Chain guide 1 piece	•
Chain guide 3 pieces	+
Dozer and stabilizer blade 2,540 mm	+
Dozer and stabilizer blade 2,640 mm	+
Dozer and stabilizer blade 2,740 mm	+
Rubber track pads 500 mm	+
Special painting	+
Steps	+
Steps wide	•
Track pads triple grouser 500/700/900 mm	+
Track pads triple grouser 600 mm	•
Tracks, sealed and greased, with track pads	•
Undercarriage storage compartment	+

Uppercarriage

Air pre-filter with cyclonical dust trap	+
Counterweight standard 2.8 t	•
Electric socket on uppercarriage (24 V)	+
Extended tool set including tool box	+
Flashing beacon on uppercarriage, rear, LED, 1 piece	+
Fuel anti-theft protection	+
Headlight on uppercarriage, lateral right, LED+, 1 piece	+1)
Headlights on uppercarriage, front, halogen, 2 pieces, protections included	•1)
Headlights on uppercarriage, front, LED+, 2 pieces, protections included	+1)
Headlights on uppercarriage, rear, LED+, 2 pieces	+1)
Pre-heating system for fuel	+
Reflective warning stickers	+
Reversible fan drive	+
Special painting	+
Tank refilling pump fuel	+
Tool set including storage case	•

Hydraulic System

Bypass filter for hydraulic oil	+
Liebherr hydraulic oil	•
Liebherr hydraulic oil, adapted for extreme climate conditions	+
Liebherr hydraulic oil, biodegradable	+

Engine

Automatic engine shutdown after idling	+
--	---

Equipment Standard/Option



Operator's Cab

2" seat belt with retractor	•
3" seat belt with retractor, orange colour	+
4-points seat belt	+
Acoustic travel alarm deactivatable	+
Attachment continuous operation system	+
Auxiliary heater programmable	+
Bottom windscreen wiper	+
Cool box (12 V)	+
Dark tinted windows	+
Emergency stop in cab	+
FGPS front guard	+
FGPS front guard tiltable	+
Filter for hydraulic hammer return flow	+
Fire extinguisher	+
First-aid box	+
Flashing beacon on cabin, LED, 1 piece	+
Footrest	+
FOPS top guard	+
Handrests elevated for joysticks	+
Headlights on cab, front, halogen, 2 pieces	• ¹⁾
Headlights on cab, front, LED+, 2 pieces	+ ¹⁾
Headlights on cab roof, front, LED+, 2 pieces	+ ¹⁾
High pressure circuit switchable on pedals or mini-joystick	+
High pressure circuit with Tool Control (20 attachment adjustments on display)	+
Impact resistant one-piece windscreen	+
Keyed immobiliser	+
Lightbar on cabin	+
Medium pressure circuit	+
Mini-joysticks proportional	•
Movement restriction for stick	+
Operator seat Comfort	+
Operator seat Premium	+
Operator seat Standard	•
Overload warning system	+
Preparation for machine guidance system	+
Radio Comfort	+
Radio pre-installation	•
Retractable laminated two-piece windscreen	•
Right hand side view monitoring camera	•
Roof sun shield	+
Roof window wiper	+
Special painting	+
Sun visor	+
SuperFinish	+
Switch between high pressure and bucket cylinder controls	+
Windscreen bottom protection grid	+



Equipment

Bucket cylinder rod protection	+
Centralised lubrication extended for connecting link	+
Centralised lubrication extended for quick coupler	+
Grapple hydraulic lines (bucket cylinder inactive)	+
Headlight guards on boom	+
Headlights on boom, halogen, 2 pieces	• ¹⁾
Headlights on boom, LED+, 2 pieces	+ ¹⁾
Headlights on stick, right and left, LED+, 2 pieces, protections included	+ ¹⁾
Leak oil line for attachment	+
Liebherr bucket range	+
Liebherr tooth system	+
Lifting eye on stick	+
LIKUFIX electric signal plug for quick coupler SWA 48	+
LIKUFIX for quick coupler SWA 33 hydraulic	+
LIKUFIX for quick coupler SWA 48 hydraulic	+
Load holding valve for bucket cylinder	+
Mono boom 4.60 m	+
Mono boom offset 4.30 m	+
Quick coupler SWA 33 hydraulic	+
Quick coupler SWA 33 mechanical	+
Quick coupler SWA 48 hydraulic	+
Quick coupler SWA 48 mechanical	+
Security for hoist cylinders	+
Special painting	+
Stick 2.05 m	+
Stick 2.25 m	+
Stick 2.45 m	+
Stick 2.65 m	+
Stick bottom protection	+
Tool Management	+
Two-piece boom 4.85 m	+
Two-piece boom offset 4.90 m	+

• = Standard, + = Option

¹⁾ Equipment not individually available, but only as predefined lighting packages
Non-exhaustive list, please contact us for further information.

Options and/or special equipments, supplied by vendors other than Liebherr, are only to be installed with the knowledge and approval of Liebherr in order to retain warranty.

Liebherr-France SAS

2 avenue Joseph Rey, B.P. 90287, FR-68005 Colmar Cedex

☎ +33 389 21 30 30, Fax +33 389 21 37 93

www.liebherr.com, E-Mail: info.lfr@liebherr.com

www.facebook.com/LiebherrConstruction